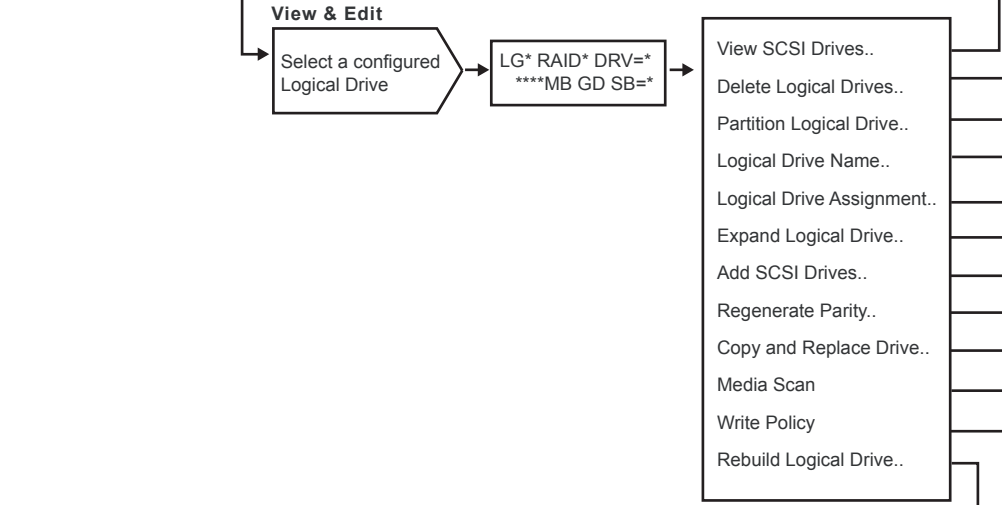
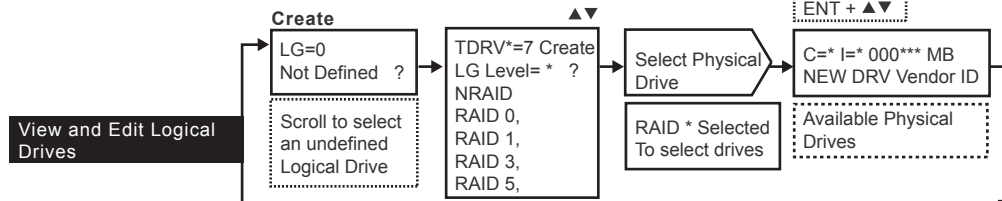
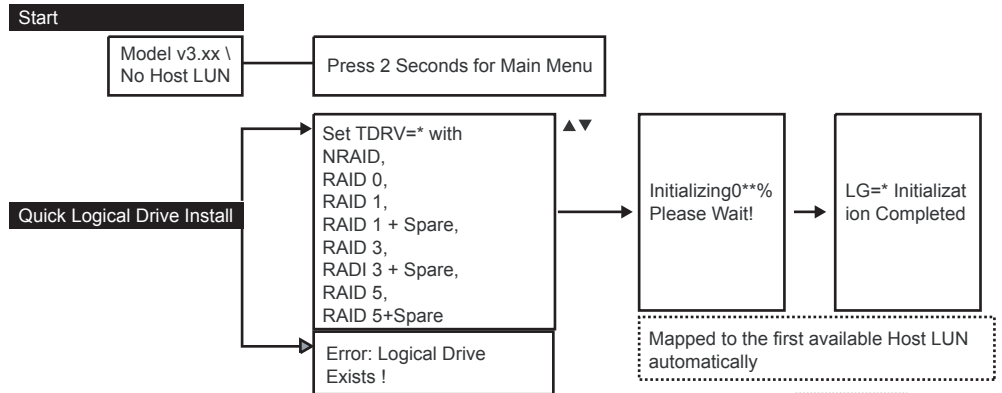


参考：LCDスクリーンフロー（ファームウェアバージョン 3.31）

※最新のバージョンと異なる場合がございます。

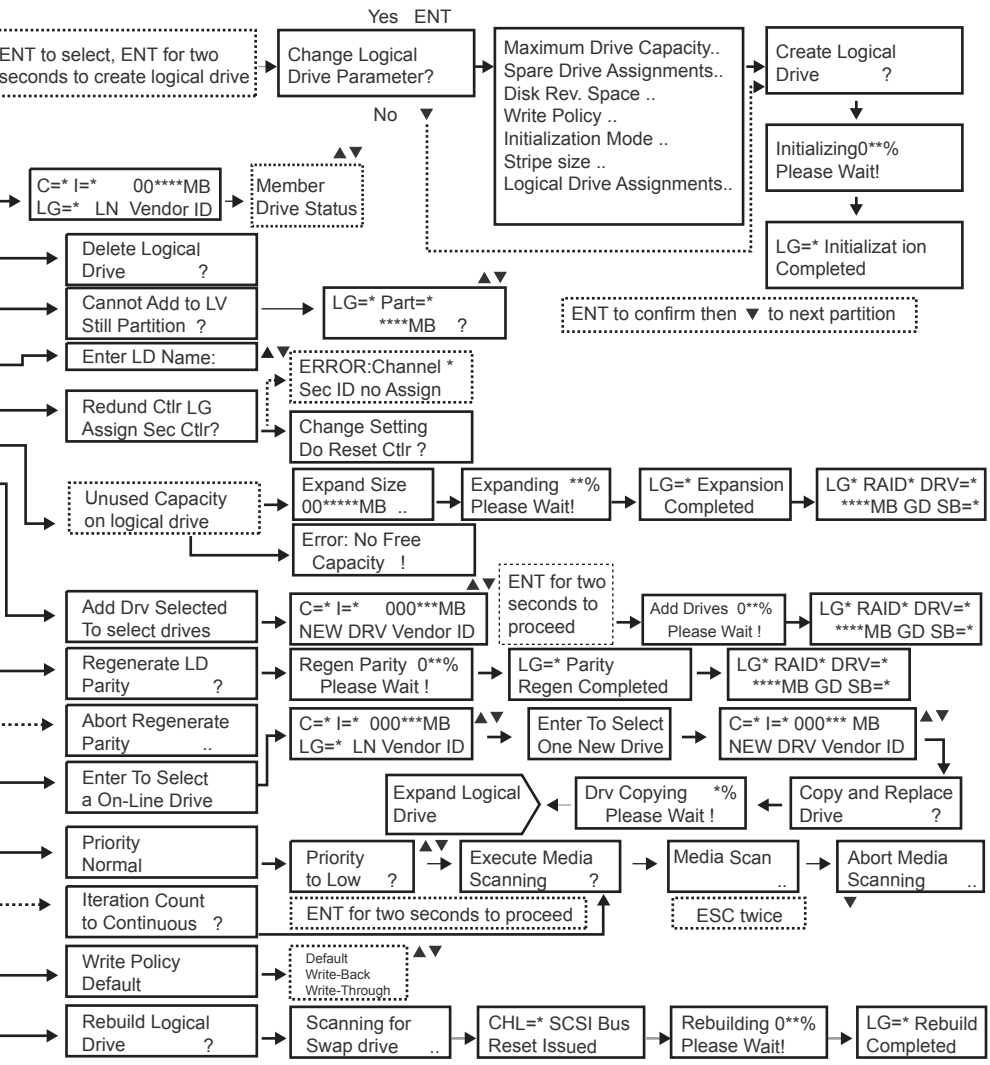


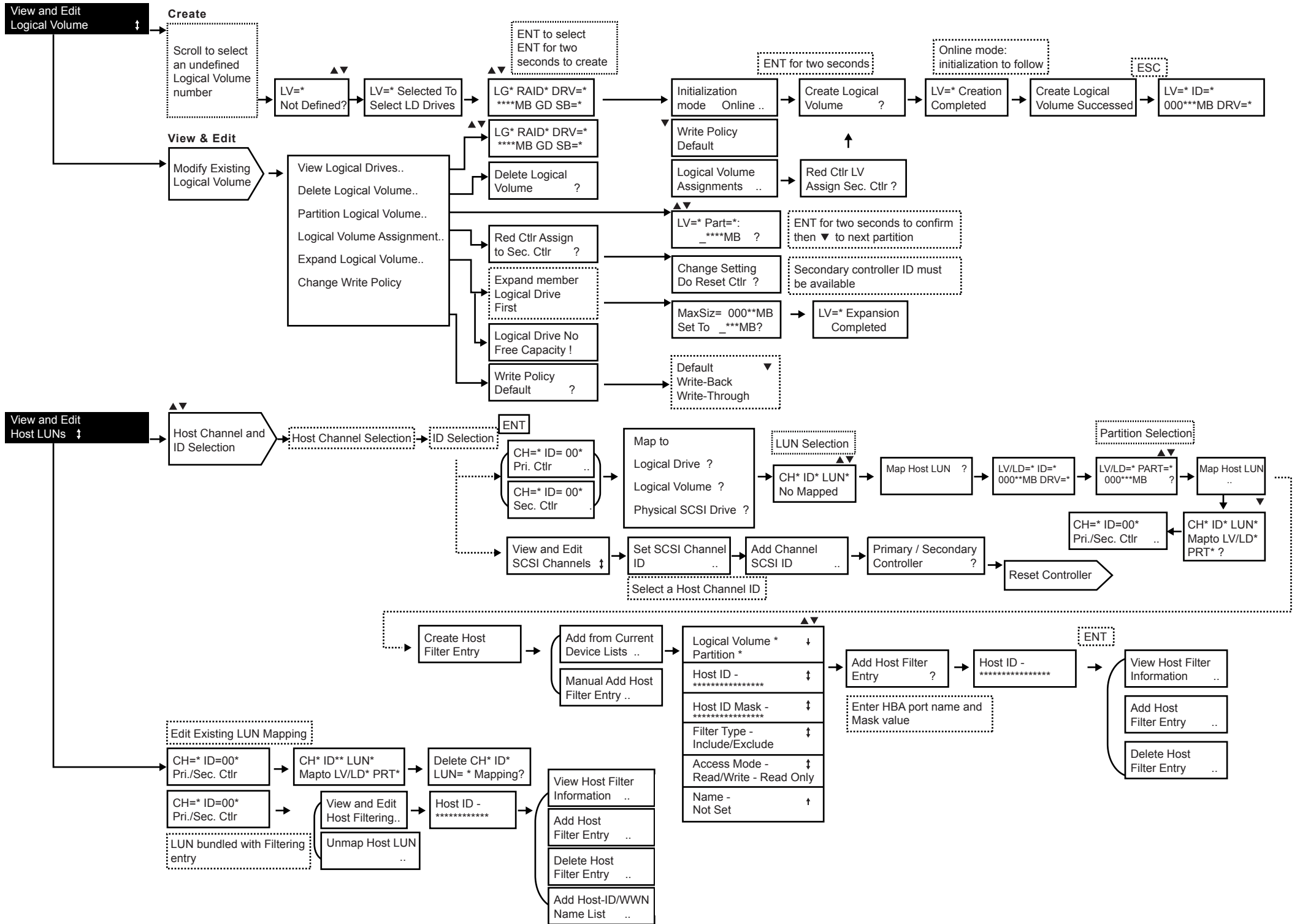
このマップで使用する記号

Firmware Version: 3.31

- LCD に表示されるテキスト
- 補足説明
- 実行するタスクまたは、設定を有効にするために実行するタスク
- 表示されているメニューから複数のオプションにアクセスするために「ENT」ボタンを押します。
- 該当のオプションを選択後、「ESC」または「ENT」ボタンを押して次のアイテムへ移動します。
- 「ENT」または「ESC」ボタンを押して、次のメニュー画面またはオプションに移動します。
- 同じタスクに対するオプションのアプローチ
- Press ENT for multiple options
- ▲ボタンを押す（上へ）
- ▼ボタンを押す（下へ）

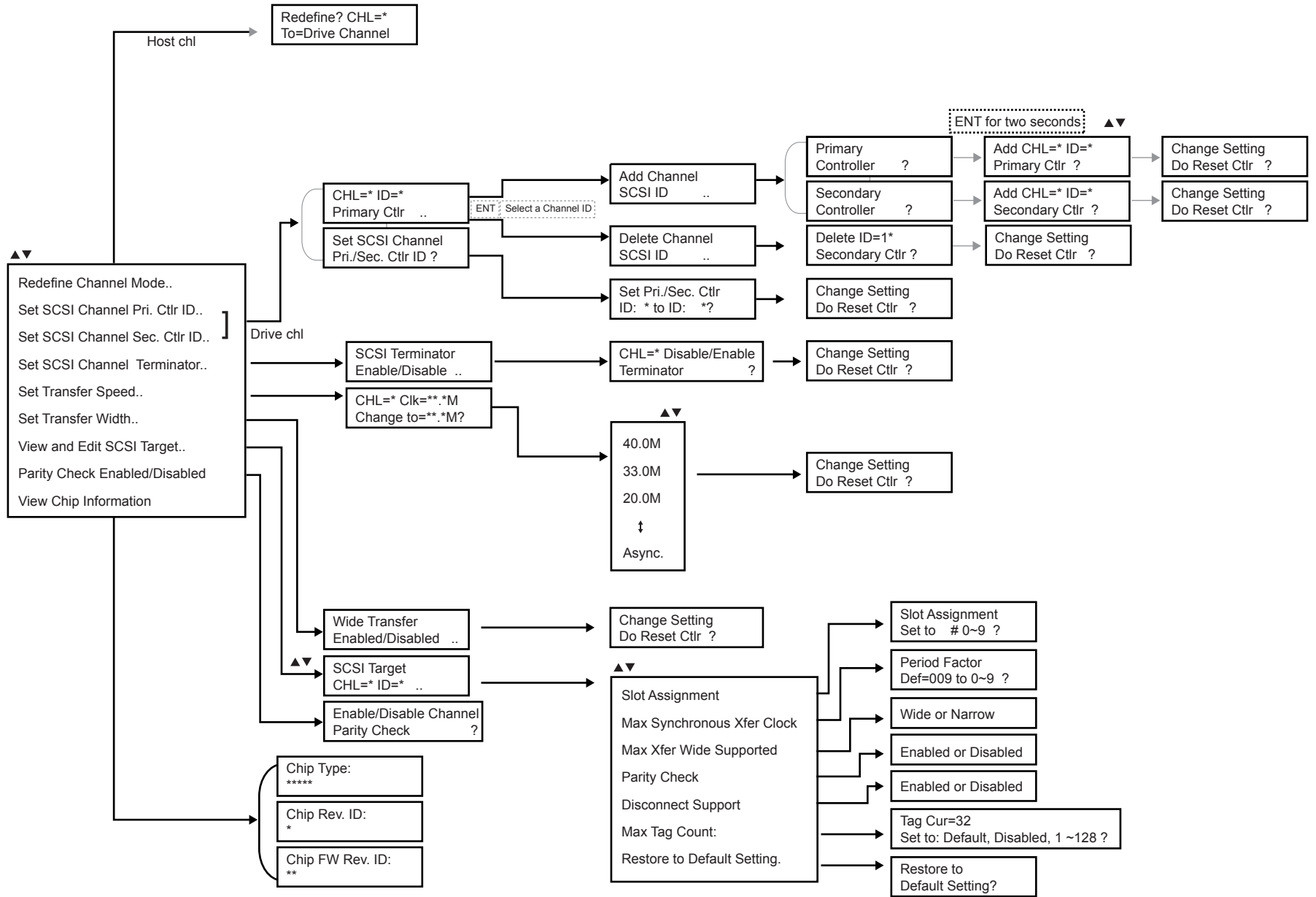
注：通常、「ENT」ボタンを押すと選択を確定させたり、更にオプションメニューへ移動したりします。「ESC」ボタンを押すと現在のオプションを終了させるか、通知メッセージをキャンセルします。



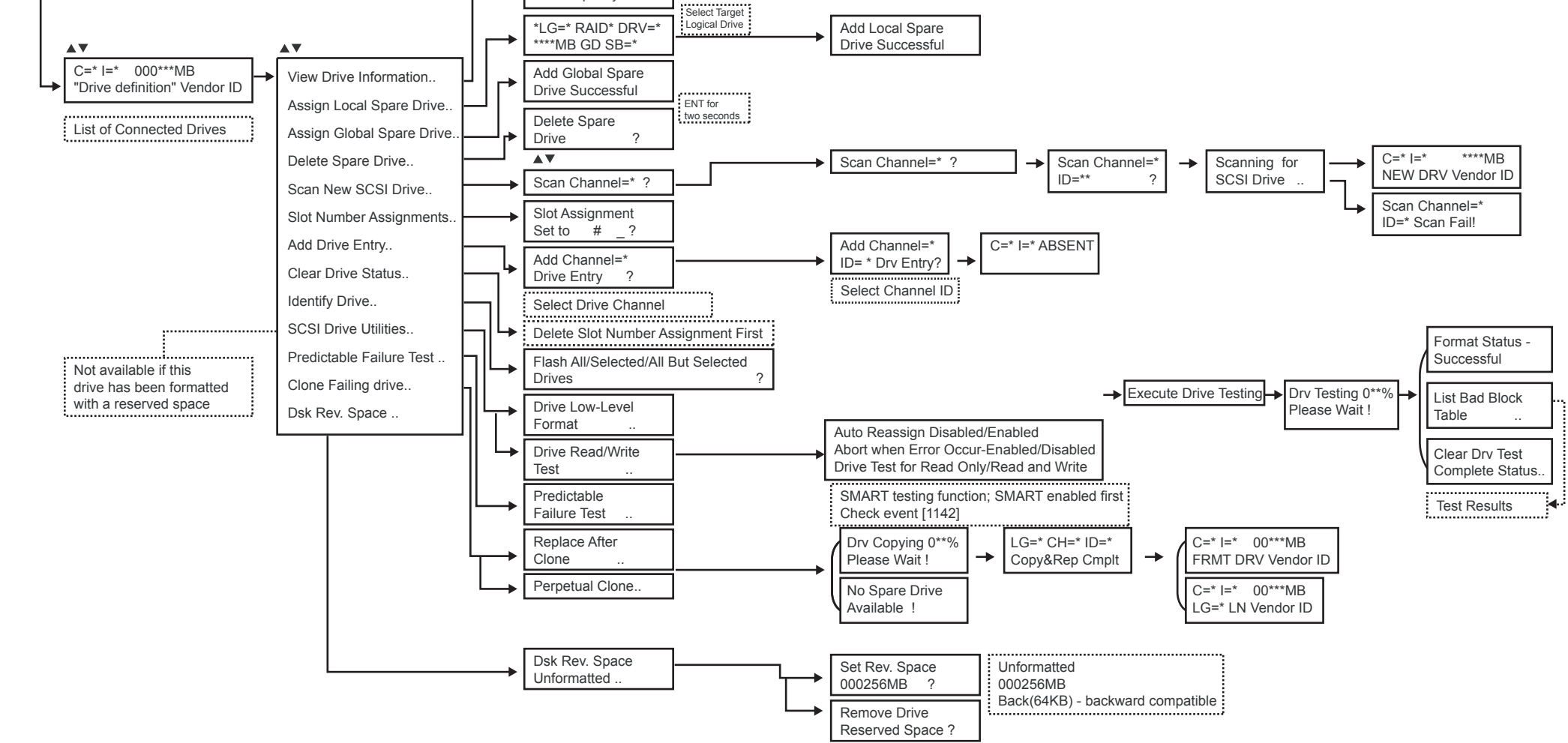


View and Edit SCSI Channels

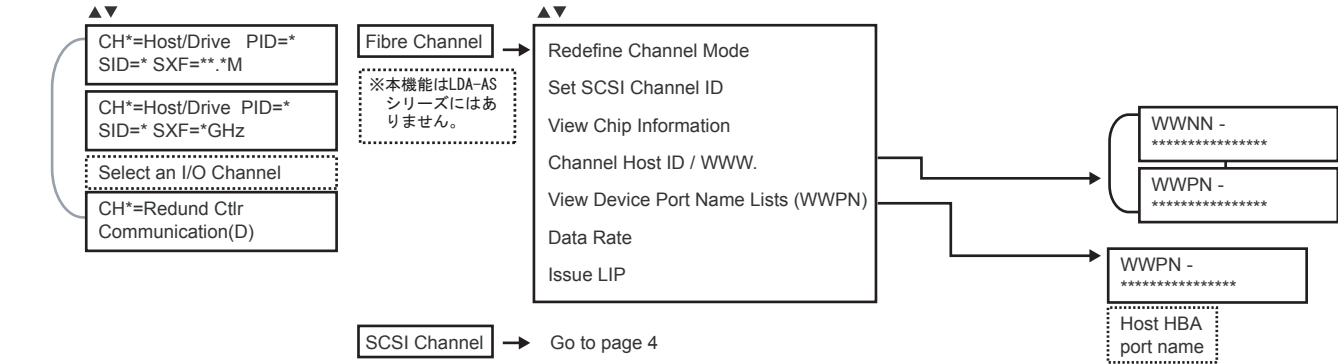
SCSI Channel



View and Edit SCSI Drives



View and Edit SCSI Channels



View and Edit Configuration Parameters

- Communication Parameters..
- Caching Parameters..
- Host-side SCSI Parameters..
- Drive-side SCSI Parameters..
- Disk Array Parameters..
- Redundant Ctr Configuration..
- Controller Parameters..

- Communication Status..
- RS-232 Port Configuration..
- PPP Configuration..
- Modem Operation..
- LAN IP Configuration..
- SNMP Configuration..

- Write-Back Cache Enabled/Disabled ..
- Optimization for Random/Sequential I/O ?

- Modem Status ..
- PPP Status ..

- Com1 Configuration ..
- Com2 Configuration ..

- PPP Name ..
- PPP Password ..

- Modem Functions ..
- Modem Setup ..

- L*[Vendor ID]MA MAC address
- Community Name - Not Set
- Trap Destination 1 to 4 Parameters ..

- Comm Route Dir Change to PPP ?
- Comm Route PPP Change to Dir ?
- Term Emul Enab/Disab Change to Disab/Enab?

- Scan/Init Modem
- Scan/Re-Init Modem
- Dial-out Modem
- Hang-up Modem
- No Modem Port Configured

- Configure Modem Port..
- Modem Operation Modes..
- Modem Initialization..
- Dial-out Functions..

- L*[Vendor ID] IP **** * or DHCP

- View LAN I/F Status ..
- Setup LAN I/F IP Address ..

- Community Name : _
- Community Name : _
- Trap IP Address : _

- Link Operation
- Transmit Packet
- Receive Packet
- Collision
- Transmit Errors
- Receive Errors
- Rcv Miss Packet

- IP Addr: ** * * * *

- Connected, Support Not Connected
- Enabled, Disabled
- All Undefined LUN, Undefined LUN-0's
- Variable, 32, 64, 127, 255
- Variable, 64, 127, 255
- Variable, <1024, <32768, <65536 Cylinders

- Baud-rate 38400
- Change to 9600
- 19200
- 4800
- 2400?

- Deconfigure Modem Port ?
- Configure Modem on COM1/COM2 ?

- Custom ModemInit None-DefaultUsed

- Custom Init Cmd: AT _

- Dial-out Command ..

- Auto Dial-out on Init Enabled/Disabled

- Dial-out Timeout *_ seconds ?

- Dial-out Retry Count - _ ?

- Retry Interval- _ minutes ..

- Event Condition? All Events/Critical&Warning/Critical Events/Disabled

- Custom Modem Init - None/Replace/Append ?

- Dial-out Cmd: ATD_

- Maximum Queued I/O Count - ***..
- LUNs per Host SCSI ID - **..
- Num of Host-LUN Connect - **..
- Tag per Host-LUN Connect - **..
- Peripheral Dev Type Parameters.
- Cyl/Head/Sector Mapping Config..
- Fibre Connection Options

- Auto ~ 128, 256, 512, 1024
- 1 ~ 32
- 1 ~ Def (4) ~ 128
- 1 ~ Def (32) ~ 256

- Device Type -
- Device Qualifier -
- Support Removable Media -
- LUN Application -

- Sector Ranges -
- Head Ranges -
- Cylinder Ranges -

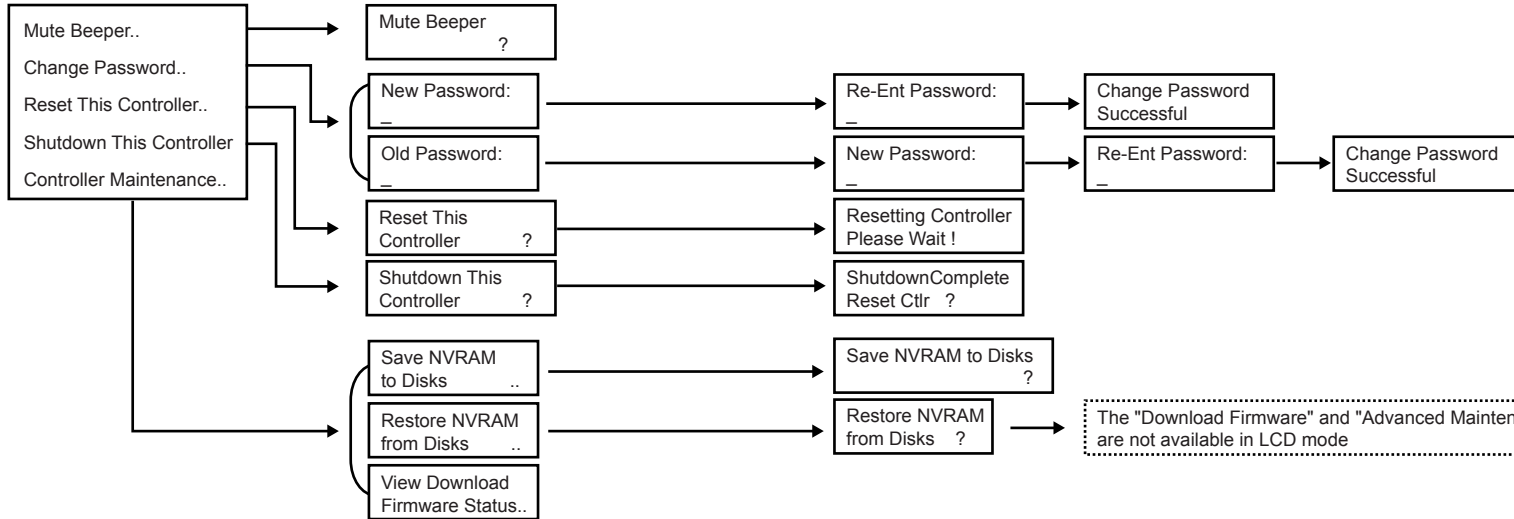
- Loop Only
- PtoP Only
- Loop Preferred
- PtoP Preferred

- Set/Change IP Addr ?

- No Device (0x7f)
- Direct-access(0)
- Sequential(1)
- Processor(3)
- CD-ROM(5)
- Scanner(6)
- MO Device(7)
- Storage Array(c)
- Enclosure Dev(d)
- Unknown (0x1f)

- Input Addr: _
- NetMask Addr: _
- Gateway Addr: _

System Functions ↓

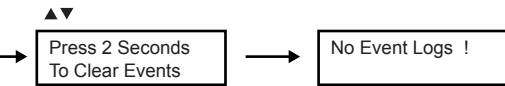


View System Information ↓

CPU Type:
RAM Type: SDRAM Size: 00**MB
Firmware Version:
Bootrecord Version:
FW Upgradability
Serial Number:
Battery Backup:
Controller Name:
Base Board Rev. ID:
Base Board ID:
ID of NVRAM:
Controller Position: Slot A or B

Subsystem only

View and Edit Event Logs ↓



Controller events

End

View and Edit Configuration Parameters

- Communication Parameters..
- Caching Parameters..
- Host-side SCSI Parameters..
- Drive-side SCSI Parameters..
- Disk Array Parameters..
- Redundant Ctr Configuration..
- Controller Parameters..

Motor Spin-Up
 Reset at Power-Up
 Init Disk Access Delay -
 SCSI I/O Timeout
 Maximum Tag Count
 Periodic Drive ChkTime -
 Periodic SAF-TE/SES ChkTime -
 Periodic Drv Swap AutoChk -
 SMART Mode -
 Auto-Assign Global -

Enable/Disable Motor Spin-Up ?
 Enable/Disable Reset at Power-Up ?
 Set Disk DelayTime - No Delay, 05 to 75 seconds?

500 ms, ~ Def (7) ~ 10 seconds ?
 Disable, 1 ~ 128 seconds ?
 Disable, 1/2 ~ 30 seconds ?
 Disable, 50ms ~ 60 seconds ?
 Disable, 5 ~ 60 seconds ?

Rebuild Priority
 { Low
 Normal
 Improved
 High ?

{ On LD Initialize Writes
 On LD Rebuild Writes
 On Normal Drive Writes
 Enable/Disable ?

SMART Mode -
 { Disable?
 Detect?
 Perpetual Clone?
 Clone + Replace?
 Enable/Disable Auto-Ass Global Spare ?

RC Communication Channel-SCSI Bus/ Fibre Loops
 Secondary Ctr RS232 Enabled/Disabled..
 Remote Redundant Ctr -Enabled/Disabled..
 Cache Sync on WtThru -Enabled/Disabled..

View only

Controller Name: Not Set
 LCD Title Disp - Controller Name/Controller Logo?
 Passwd Validation Timeout-Disabled?
 Ctr Unique ID- ****
 SDRAM ECC - Enable/Disable ?
 Set Controller Date & Time ?

Enter Ctr Name: _

Available with preset password set

Disable, 1, 2, 5 min, ...Always

Between 0 and FFFFF, in hex, must be different for each controller

Time Zone .. GMT-*** GMT-__

Date and Time .. **/**/**** ** . ** . **

[MMDDhmm[YYYY]]

Redundant Ctr Function I2C Periph Device SES Device

Power Supply * FAN:****RPM LT: **** Drv Fail Output: CHL=* ID=*

Redundant Ctr Function Disabled/Enabled/Scanning

Enable Redundant Ctr: Autocfg ? Primary ? Secondary ?
 Enable/Disable UPS Power Status ?

UPS Power Status

Event Trigger Operations

Set UPS Fail Sig Active Low/Active High ?

LCD Contrast : ██████████ -----

View Ctr Periph Device Status..

Temperature and Voltage Parms ..

Ctr Failure BBU Low/Failed UPS AC Power Loss Power Supply Failed Fan Failed Temp exceeds Limit

Controller auto-shutdown or auto-flush on these conditions

Voltage Monitor ..

Temperature Monitor ..

{ [+3.3V] 3.***V
 [+5V] 5.***V
 [+12V] 12.***V
 Operation Normal
 { [CPU] **.* °C
 [Board1] **.* °C
 [Board2] **.* °C
 in Safe Range

View and Edit Peripheral Device

- View Peripheral Devices Status..
- Set Peripheral Devices Entry..
- Define Periph. Active Signal
- Adjust LCD Contrast
- Ctr Peripheral Device Configuration..

Trigger Threshold for
 { 3.3V Event
 5V Event
 12V Event
 CPU Temp Event
 Board Temp Event

Upper for **V Event-Def (**C)
 Lower for **V Event-Def (**C)
 Upper Temp Event-Def (**C)
 Lower Temp Event-Def (**C)

Range *.**V-*.**V
 Range * °C-** °C
 Input : _